

STARESSO®



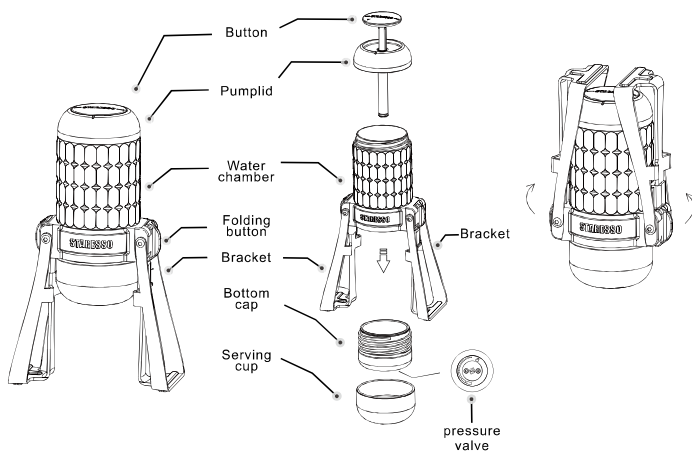
USER MANUAL

MIRAGE

READ BEFORE USE

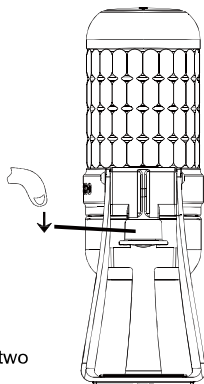
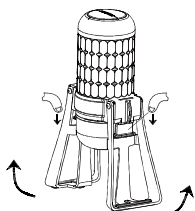
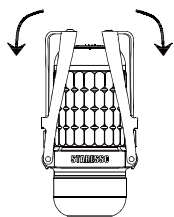
- * Please read this manual carefully before use and retain for future reference.
- * Keep out of reach of children.
- * Clean each part with hot water before first use. Be aware of hot water while cleaning & using your Mirage.
- * Please make sure the leg brackets are set to the lowered position and your Mirage is placed on a stable, non-slip surface prior to use.
- * Do pull down the folding button before fold your mirage bracket.

PARTS LIST:



SPECIFICATIONS:	
Water chamber capacity	: 180ml
Ground coffee capacity	: 18~22g
Working pressure	: 15 ~ 20bar

HOW TO SET & FOLD THE LEG BRACKETS:



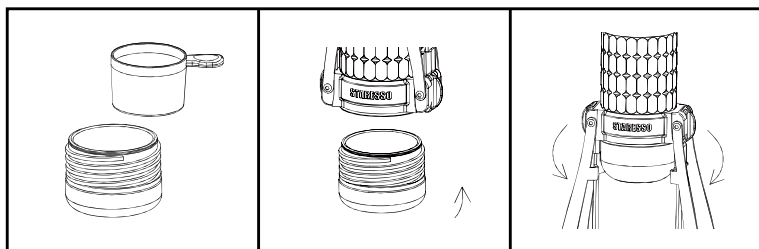
* To stand your Mirage: Pull down the two brackets from the up position until they are in the down position and you hear the locking sound. Ensure you place your Mirage on a non slip surface.

* To store: pull down the movable switch to release the two brackets and then simply fold them up.

USING YOUR MIRAGE:

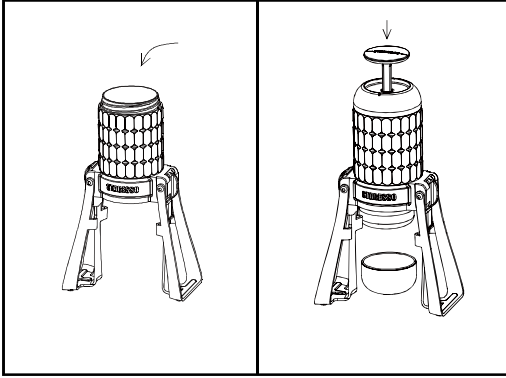
STEP I : SET UP

- * Unscrew the bottom cap and fill the basket with 18~22g of fine ground coffee. (do reduce the tea leaves to a half scale when makes latte.)
- * Screw the bottom cap tightly back onto water chamber to prevent any leakage.
- * Remove the serving cup and place directly below the Mirage (you can use the cup provided or any cup that will fit.).
- * The pressure valve is generally set to the right place before pumping. If you believe the working pressure is too low or too high, you can adjust it by turning accordingly.



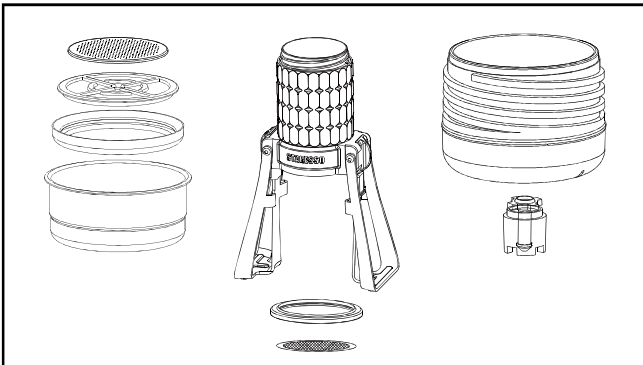
STEP II: MAKING COFFEE

- * Fill the water chamber with 120~180ml of hot water.
- * Turn & release the pump lid and begin` pumping,. To get the best extraction result try and pump every two seconds. You will feel the pressure begin to decrease when the water is all used, at this stage discontinue pumping. Your coffee is now ready.....Enjoy!
- * Do pull down the folding button before fold your Mirage bracket.



STEP III: CLEANING

- * Ensure you have pumped through all water so that none remains in the tank and the pressure is reduced. Open the pump lid and tip out any remaining water.
- * Unscrew the bottom cap slowly. If you have just made a coffee, the coffee basket and spent grounds may still hot.
- * Remove spent coffee grounds.
- * If cleaning of the filter basket or pump section is required, ensure your Mirage is reassembled correctly. The filter basket and pump section can be cleaned with water and then dried prior to reassembly.
- * After reassembly dry the outside of your Mirage and fold up the legs.



IMPORTANT NOTES:

- * The pump button uses A “press, twist” to lock and unlock.
- * Ensure you screw the pump lid & bottom cap tightly before use otherwise your Mirage may not work correctly.
- * Always clean & dry your Mirage as indicated before storing.
- * The water chamber is designed only for clean water. No other liquids or foreign objects should be placed in the chamber as this may cause the pump injection hole to be blocked. If the pump does inject any particles such as coffee grinds, disassemble the upper section, clean out the water chamber dip the pump in water and plunge rapidly to get rid of the blockage.

CUSTOMER SERVICES:

- * STARESSO offers local customer services by domestic distributors accordingly to national regulation.
- * For further information please refer to outer packing.
- * Should you have any question or inquiry, please email to: info@starezzo.com and we will respond within 48 hours.
- * Thanks for being with STARESSO!



